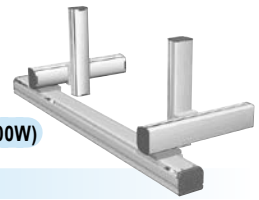


NXY-W

6 axes / ZFH



- Arm type
- Cable carrier
- Double Y axes specifications
- Z-axis: clamped table / moving base type (200W)

Ordering method

NXY-C-WA1 [] [] **ZFH** [] [] **RCX340-4** [] [] [] [] [] [] [] [] [] [] [] [] [] [] [] []

Model Cable Combination X-axis stroke (25 to 175cm) Y-axis stroke (15 to 65cm) ZR-axis Z-axis stroke (15 to 35cm) Cable (3L: 3.5m, 5L: 5m, 10L: 10m) Controller / Number of controllable axes Safety standard Option A (OP.A) Option B (OP.B) Option C (OP.C) Option D (OP.D) Option E (OP.E) Absolute battery

Specify various controller setting items. RCX340 ▶ **P.678**

Note 1. When either one or both of Y-axis or Z-axis stroke is different, it will be an order-made.

Specification

	X-axis	Y-axis ^{Note 1}	Z-axis
Axis construction ^{Note 2}	N15D	F14	F10H-BK
AC servo motor output (W)	400	100	200
Repeatability ^{Note 3} (mm)	+/-0.01	+/-0.01	+/-0.01
Drive system	Ball screw φ15	Ball screw φ15	Ball screw φ15
Ball screw lead ^{Note 4} (Deceleration ratio) (mm)	20	20	10
Maximum speed (mm/sec)	1200	1200	600
Moving range (mm)	250 to 1750	150 to 650	150 to 350
Robot cable length (m)	Standard: 3.5 Option: 5, 10		

Note 1. The same two Y axes are installed and they have same specifications. If axes of individually different stroke are desired, it will be an order-made. In that case, consult YAMAHA.

Note 2. Use caution that the frame machining (installation holes, tap holes) differs from single-axis robots.

Note 3. Positioning repeatability in one direction.

Note 4. Leads not listed in the catalog are also available. Contact us for details.

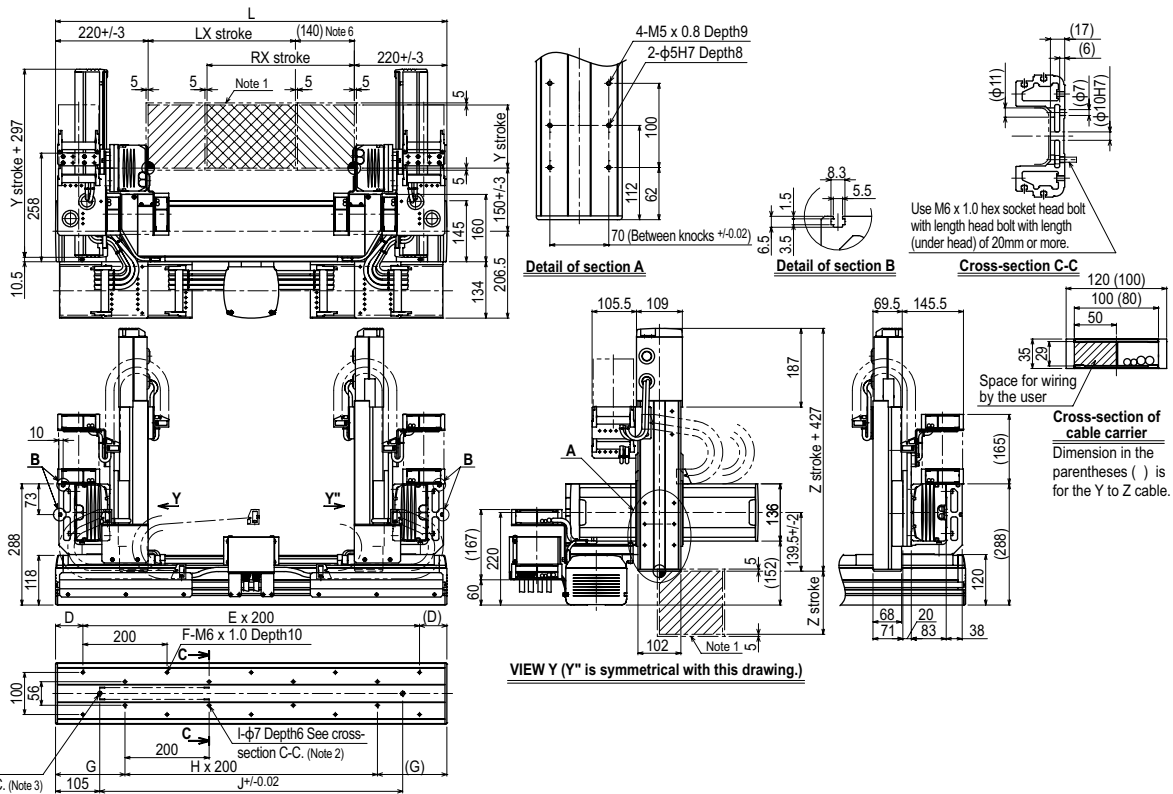
Maximum payload (kg)

Y stroke (mm)	Z stroke (mm)		
	150	250	350
150	13	13	12
250	12	11	10
350	10	9	8
450	8	7	6
550	5	4	3
650	3	2	1

Controller

Controller	Operation method
RCX340	Programming / I/O point trace / Remote command / Operation using RS-232C communication

NXY-W 6 axes / ZFH WA1



X stroke	250	350	450	550	650	750	850	950	1050	1150	1250	1350	1450	1550	1650	1750
L	830	930	1030	1130	1230	1330	1430	1530	1630	1730	1830	1930	2030	2130	2230	2330
D	15	65	15	65	15	65	15	65	15	65	15	65	15	65	15	65
E	4	4	5	5	6	6	7	7	8	8	9	9	10	10	11	11
F	10	10	12	12	14	14	16	16	18	18	20	20	22	22	24	24
G	115	165	115	165	115	165	115	165	115	165	115	165	115	165	115	165
H	3	3	4	4	5	5	6	6	7	7	8	8	9	9	10	10
I	8	8	10	10	12	12	14	14	16	16	18	18	20	20	22	22
J	620	720	820	920	1020	1120	1220	1320	1420	1520	1620	1720	1820	1920	2020	2120
Y stroke	150	250	350	450	550	650										
Z stroke	150	250	350													

- Note 1. The moving range when returning to origin and the stop position when stopping by the mechanical stopper.
- Note 2. When using φ7 holes for installation, you must not use a washer, spring washer, etc. in the main unit.
- Note 3. When using a φ10H7 hole, make sure that the pin does not go into deeper than as shown in the drawing.
- Note 4. Use M4 tap of the box next to X axis for the user grounding terminal.
- Note 5. The M4 taps at both ends of the cable carriage can be used for fixing cables.
- Note 6. Minimum dimension between LX and RX sliders.