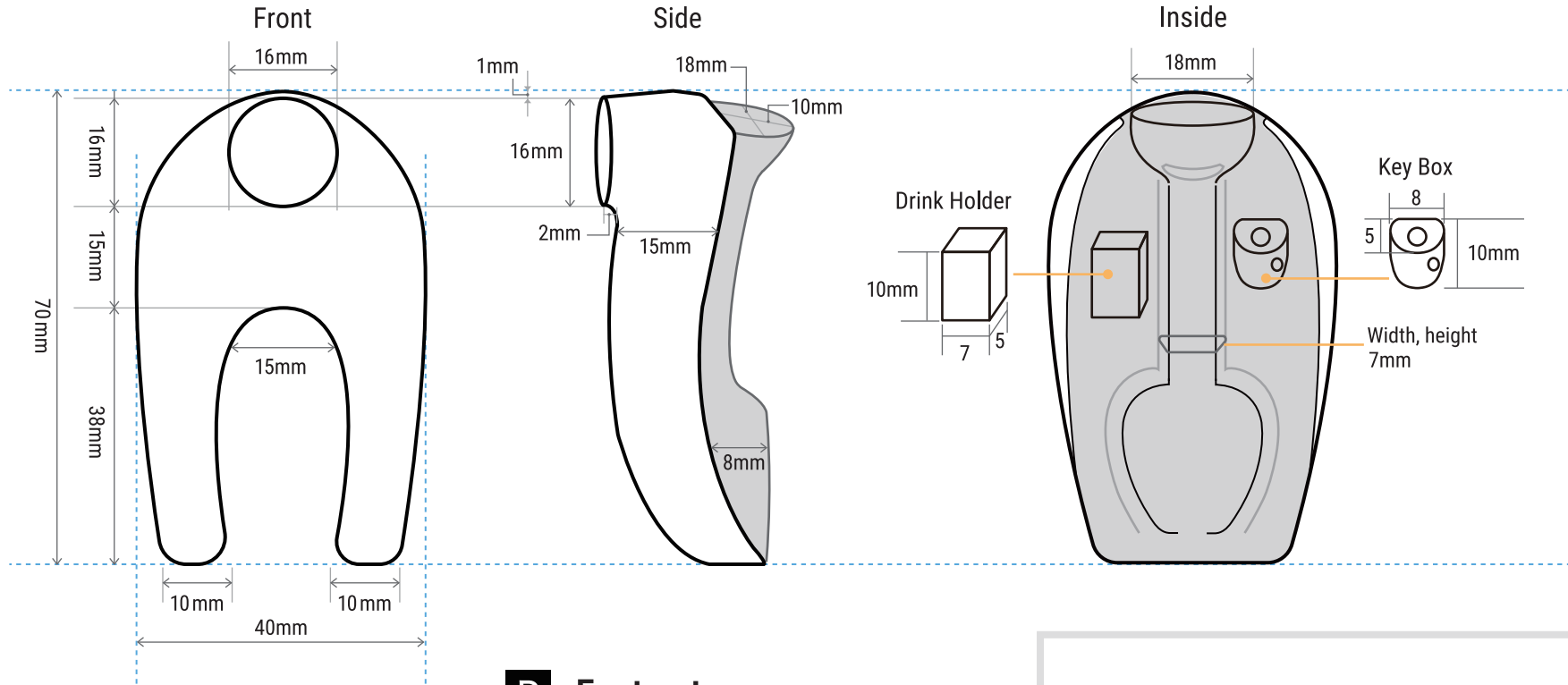
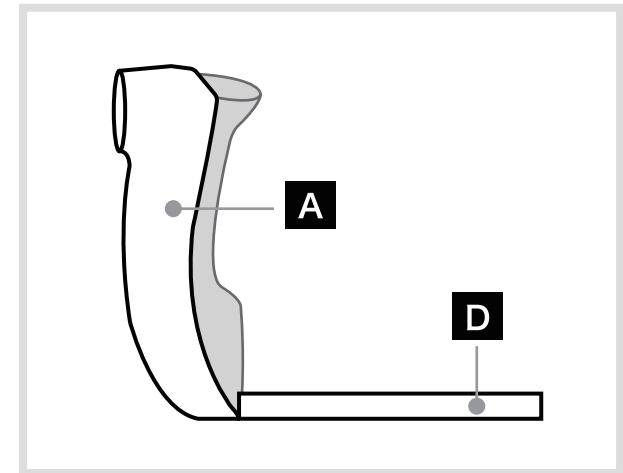
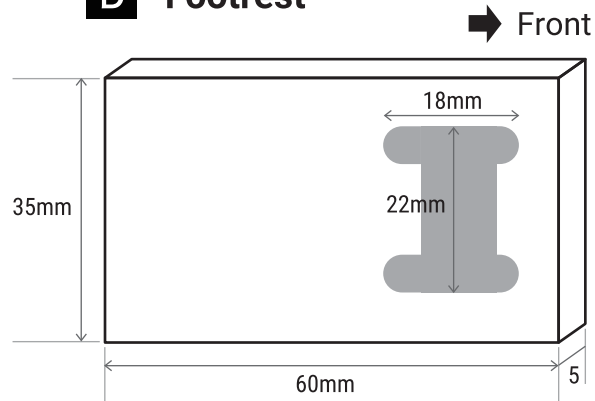




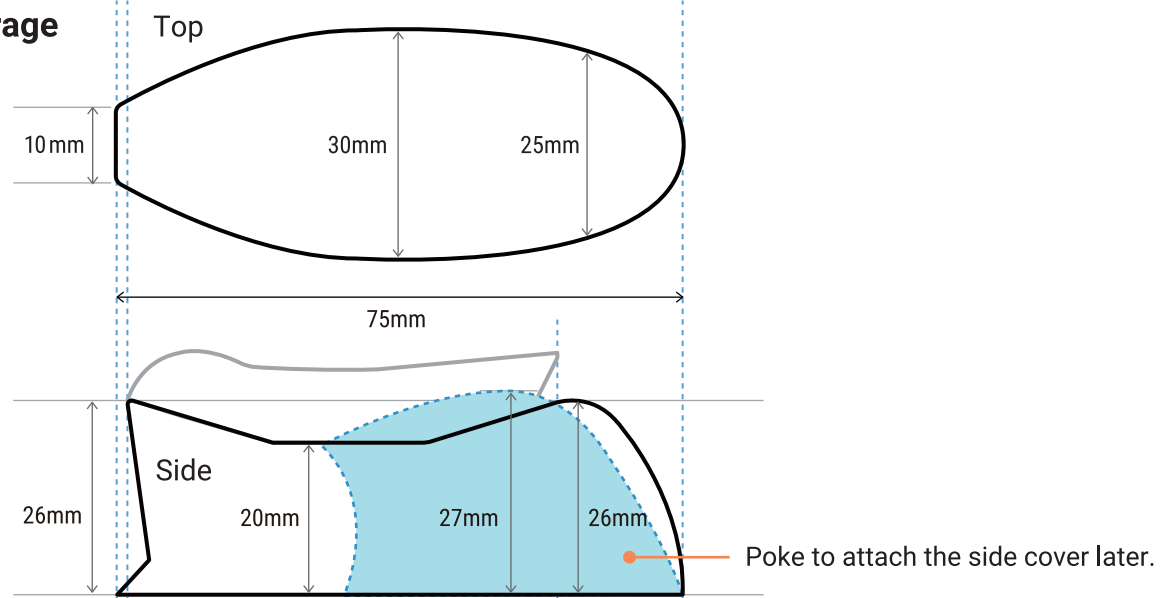
A Front, Headlight



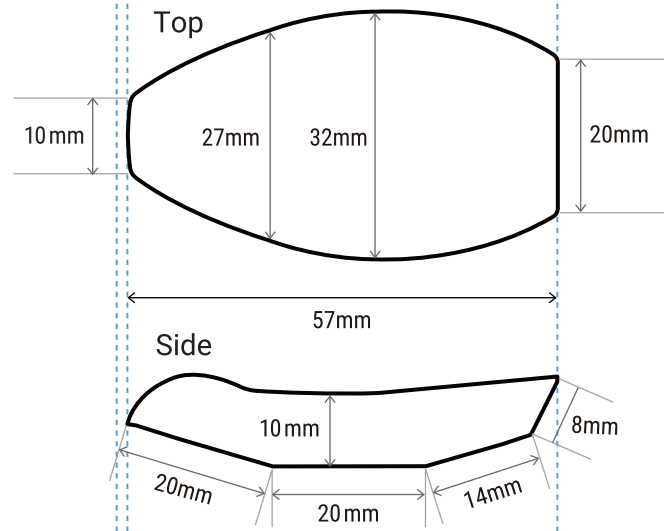
D Footrest



B Underseat storage

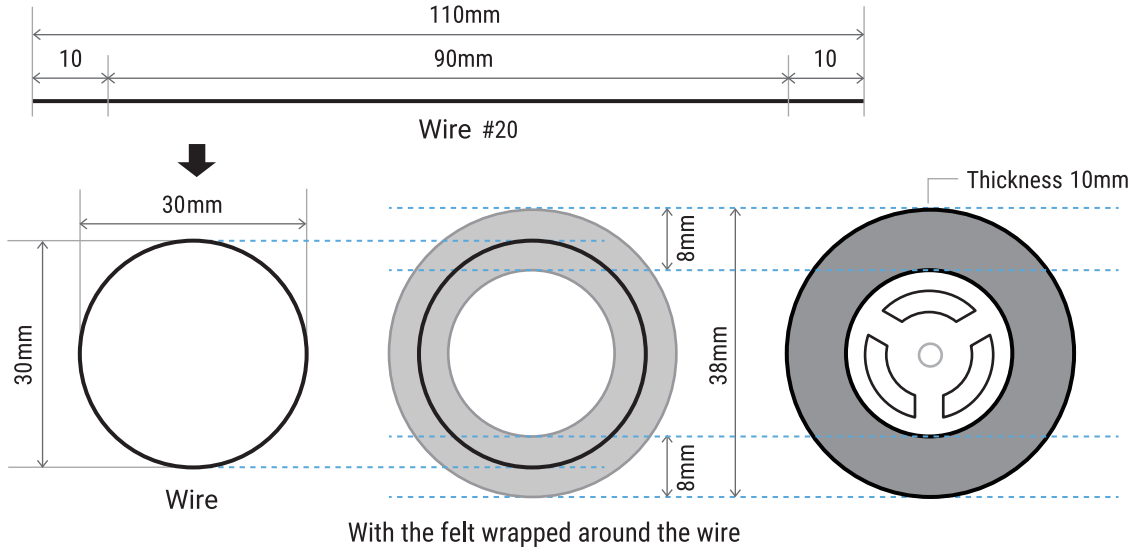


C Seat





E Tire



F Rear Fender

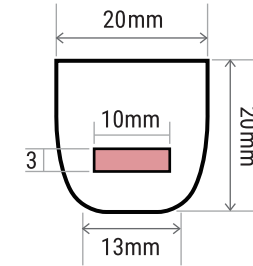


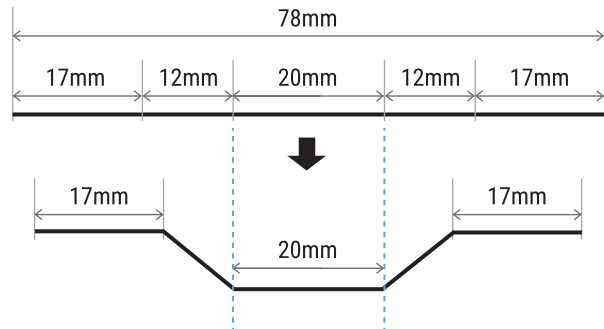
Photo for reference



G Handlebars, Mirror

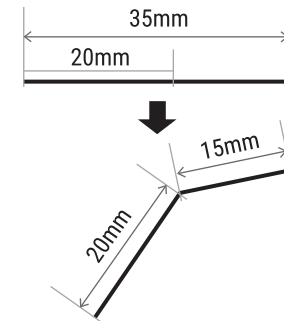
Handlebars

Wire #20

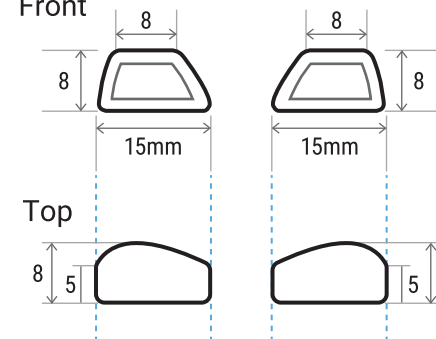


Mirror

Wire #20



Front

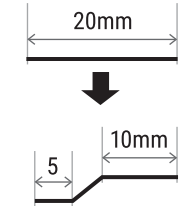


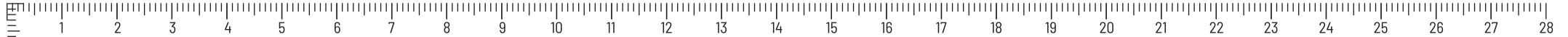
Top



Brake

Wire #20



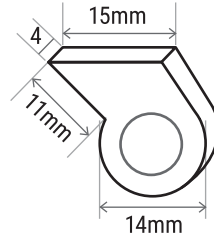


H Suspension

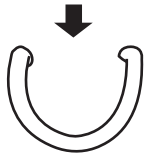
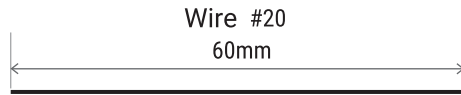
Wire



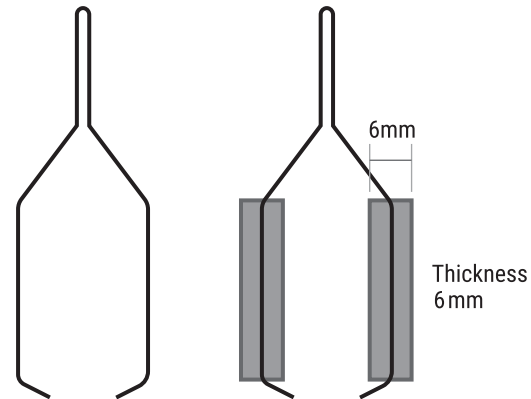
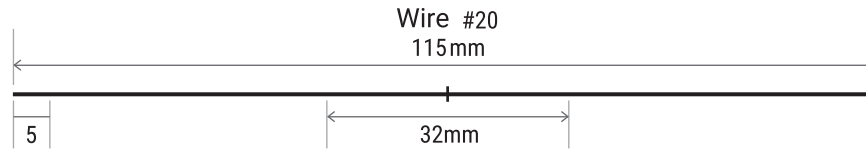
I Motor



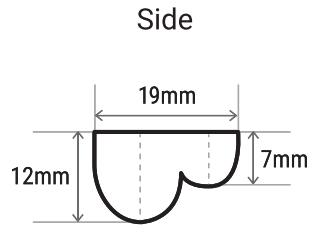
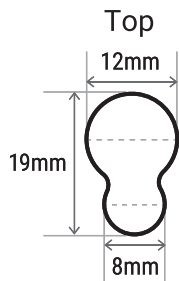
J Carrier



K Front Fork

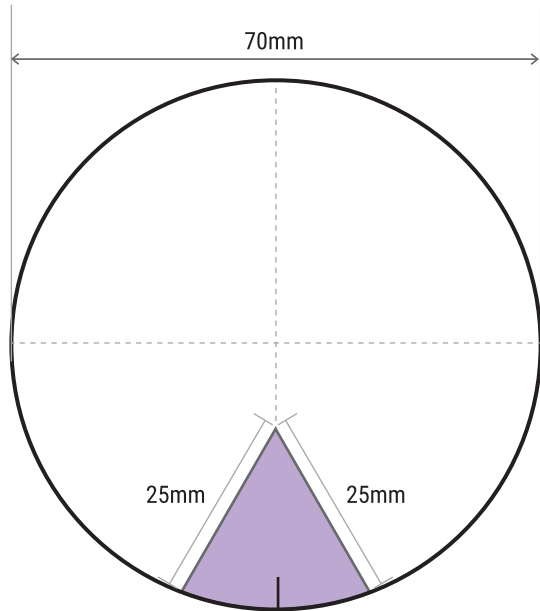
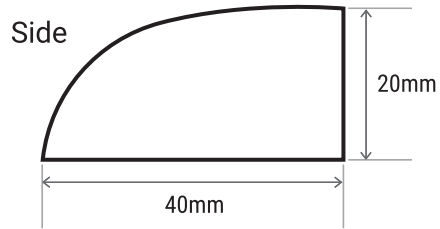


L Meter



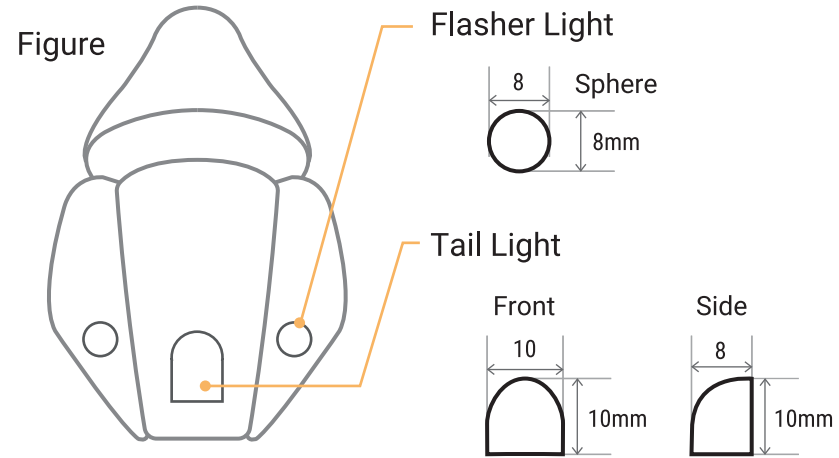


M Front Fender



Cut this part out once you have formed a circle.

N Position the rear flasher lights and tail light



■ Pedestal

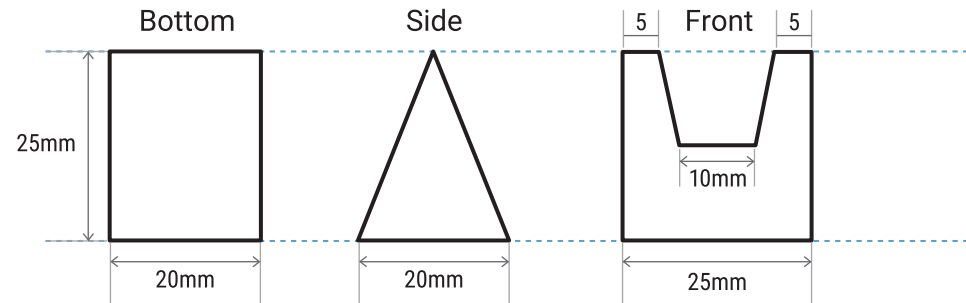
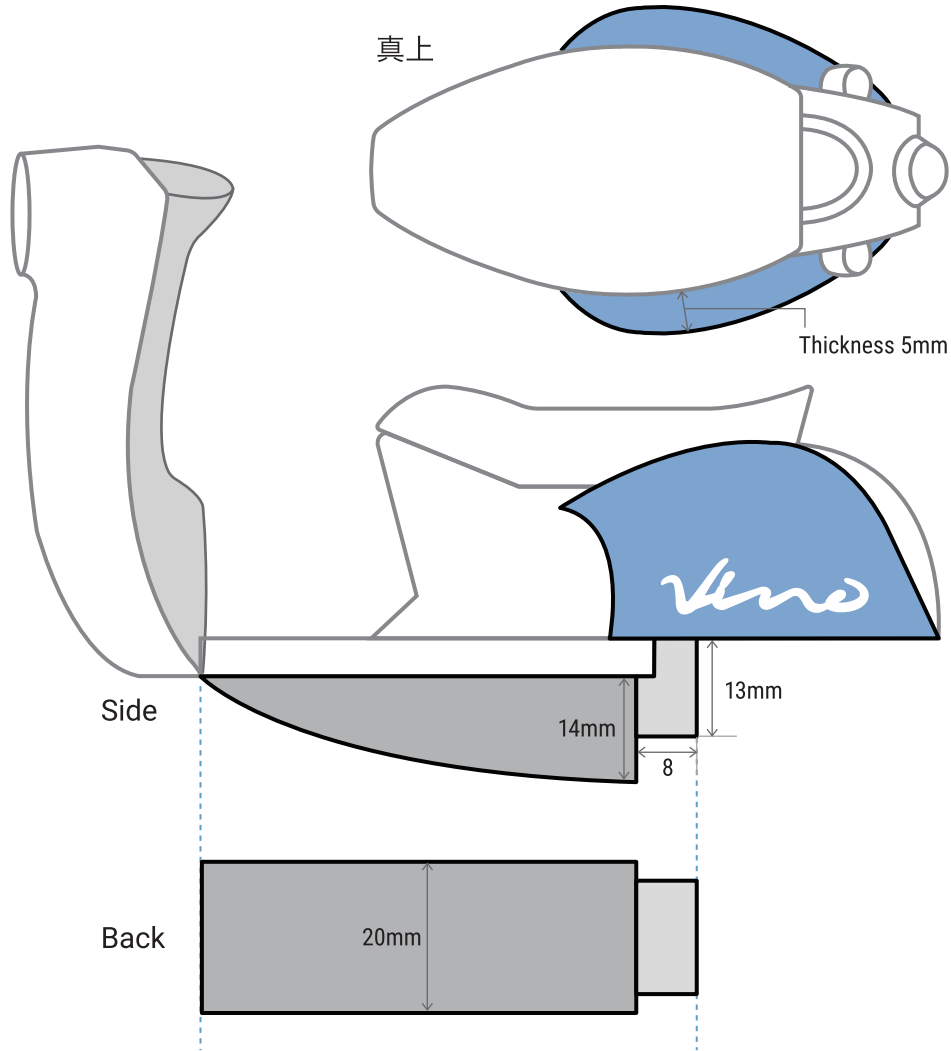




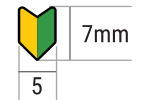
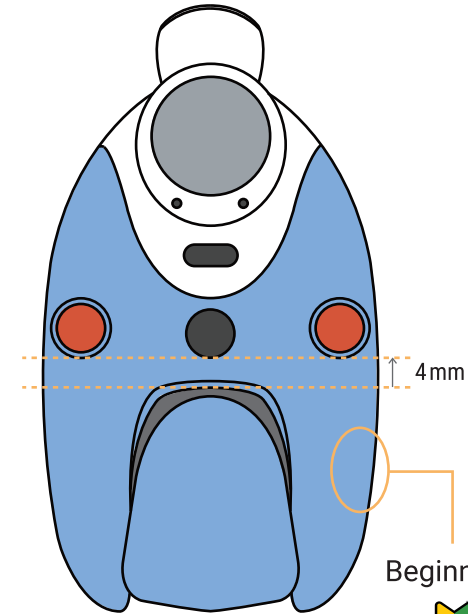
Figure : **Frame**



Directly poke to attach according to the above diagram.

Figure : **Front**

Reference diagram for light blue version colouring



Poke on 25mm from the bottom of the front.



Photo for reference



Figure : **Side**

Reference diagram for light blue version colouring



Logo sample

