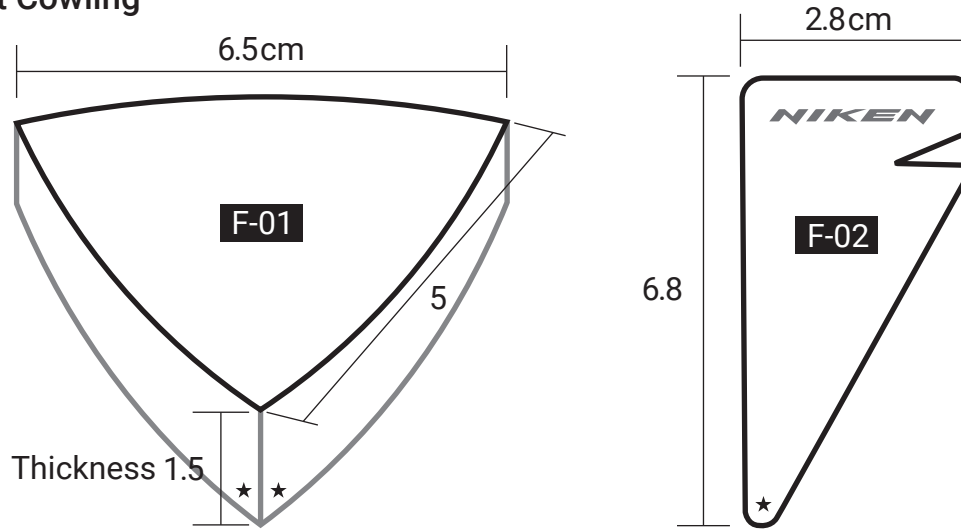
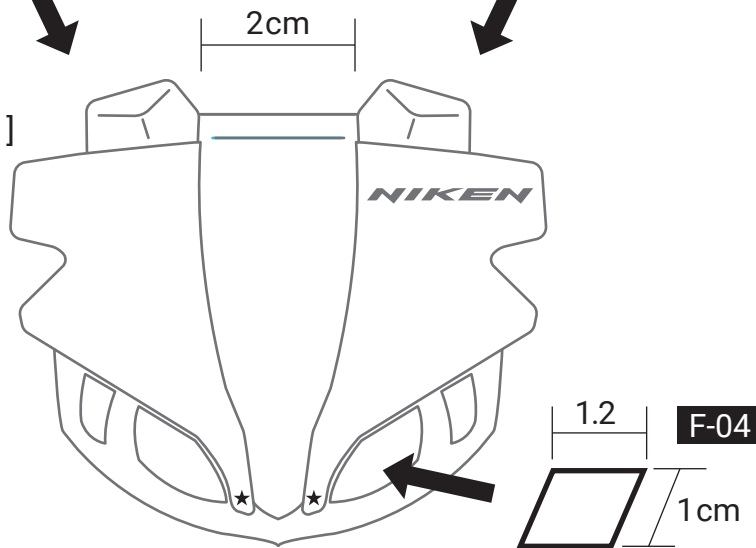




Front Cowling

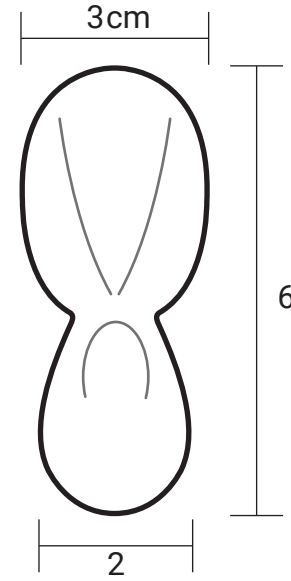


[Reference]

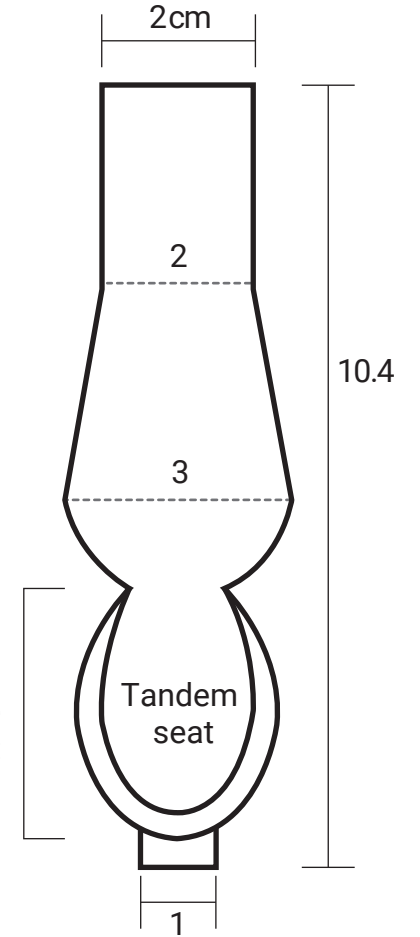


Seat

F-07

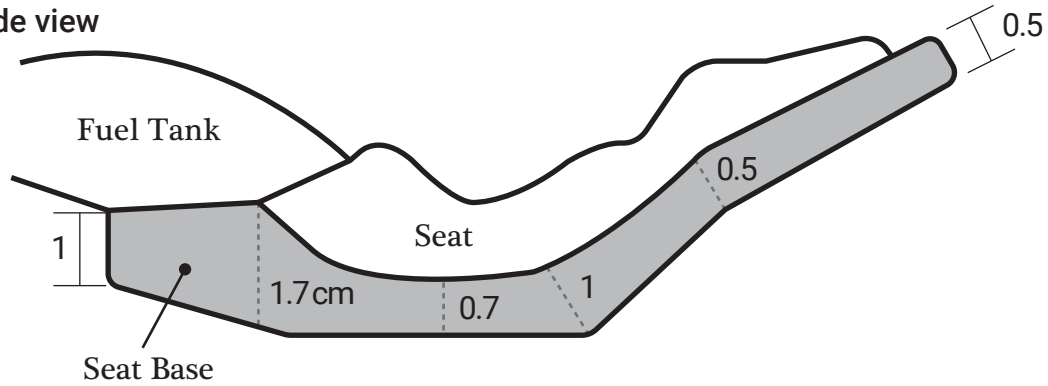


Seat Base

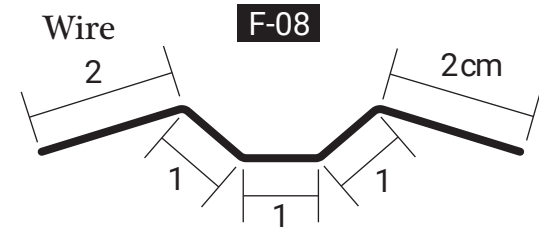




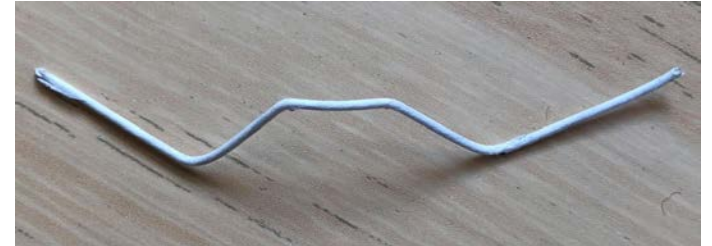
Seat Base
Side view



Handlebars

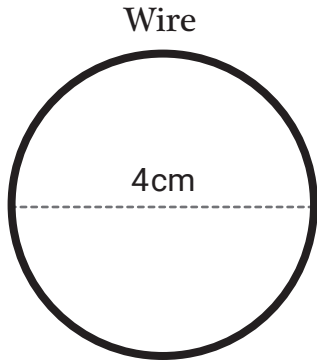


Handlebars reference photo

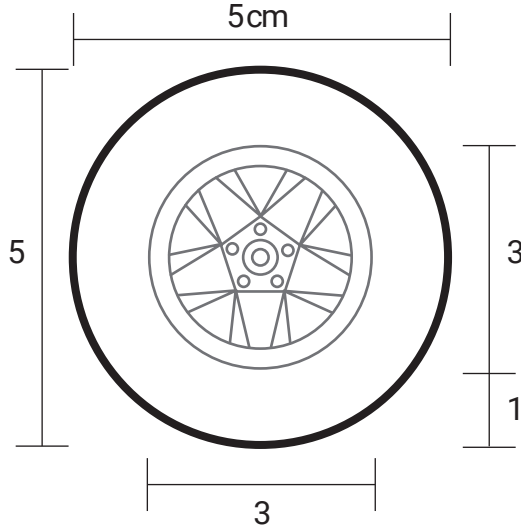


Front Tire

FP-12

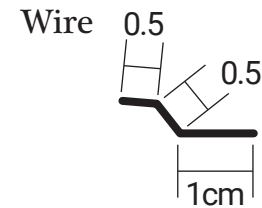


Completed item



Clutch Lever, Brake Lever

F-08



Reference photo

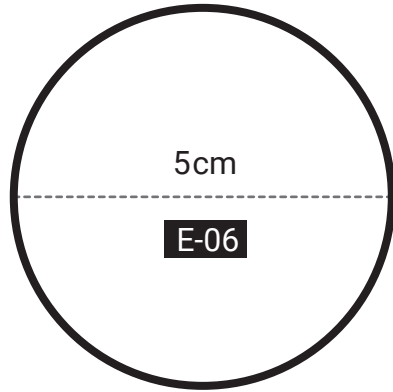




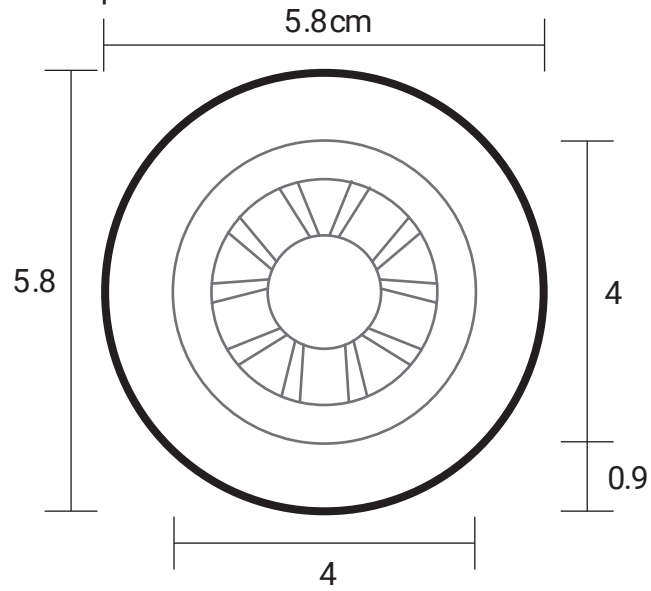
Rear Tire

E-06

Wire



Completed item

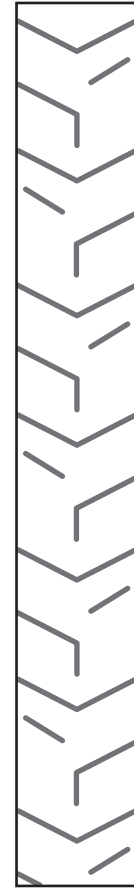


Front tire pattern



1.3cm

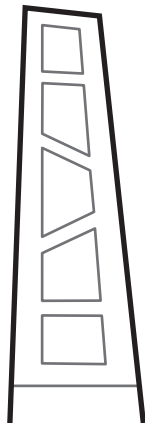
Rear tire pattern



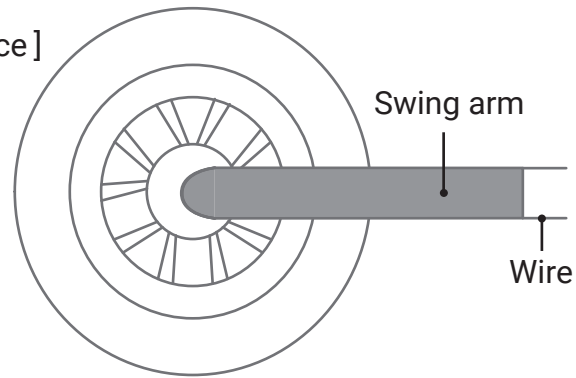
1.6cm

Rear Stay

R-03



[Reference]





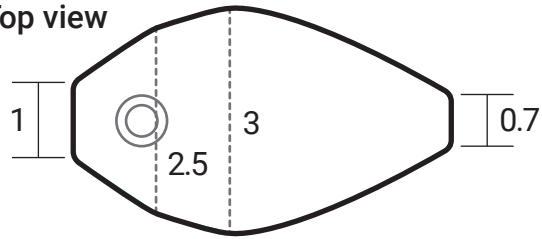
Fuel Tank

F-06

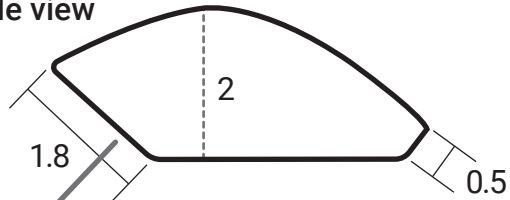
Part-1

5cm

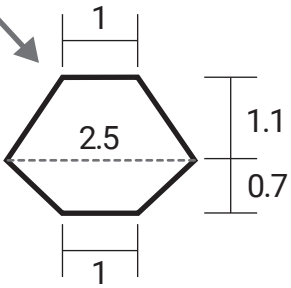
Top view



Side view



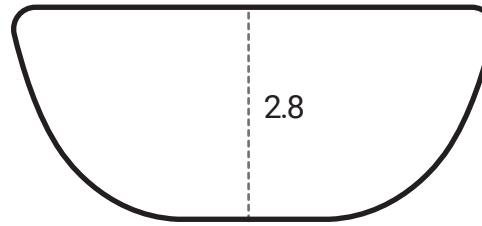
Cross section



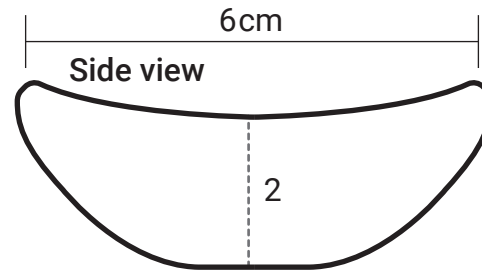
Part-2

6.5cm

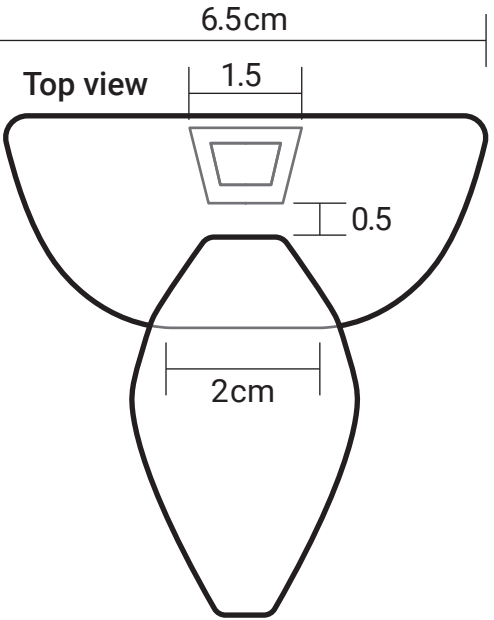
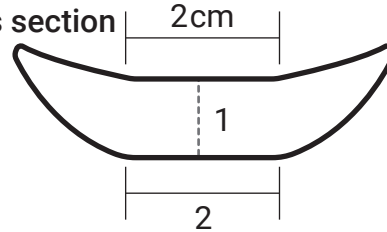
Top view



Side view



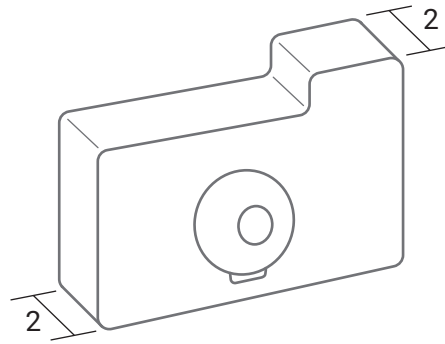
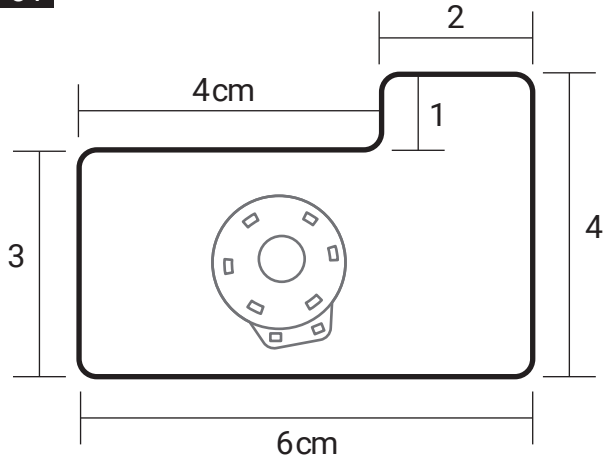
Cross section





Engine Base

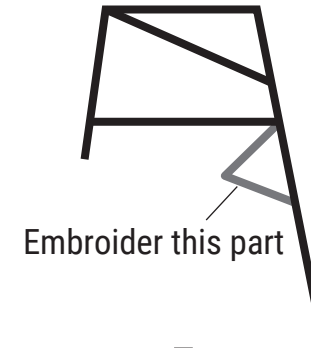
E-01



Frame

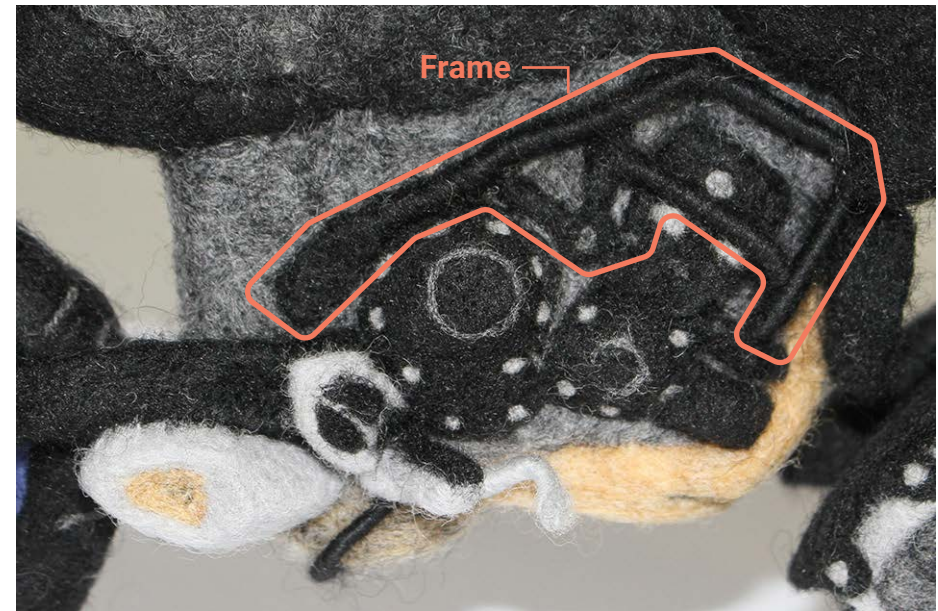
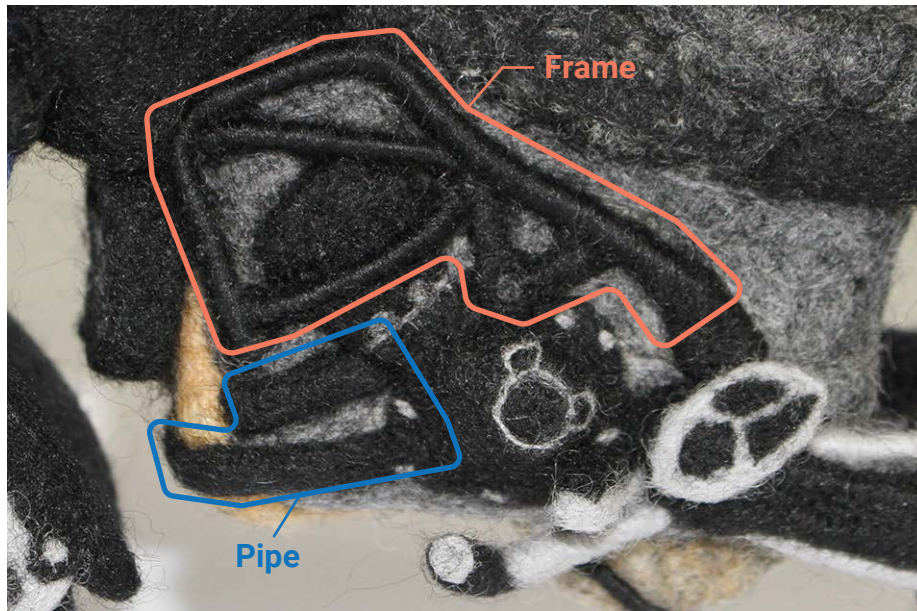
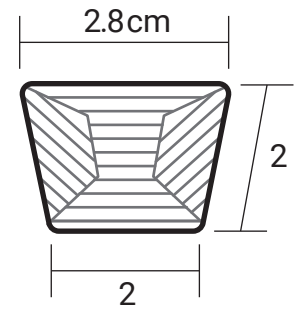
E-02

Wire



Radiator

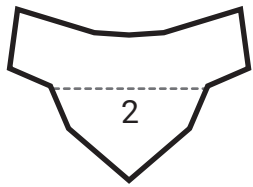
E-03



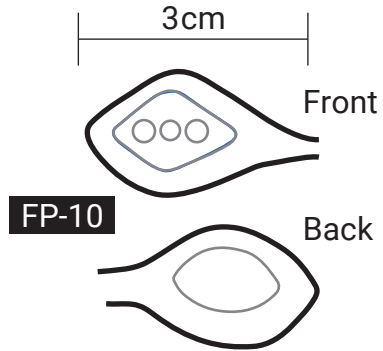


Windshield

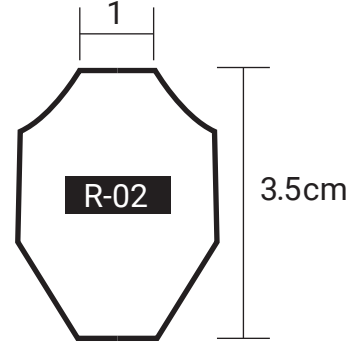
FP-09



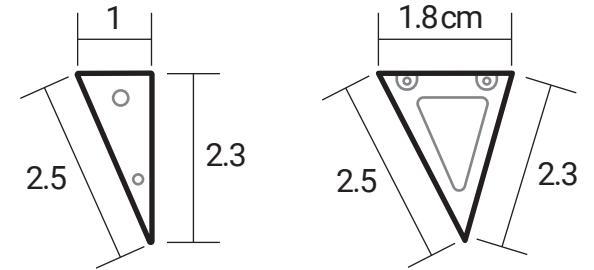
Mirror/Flasher Light



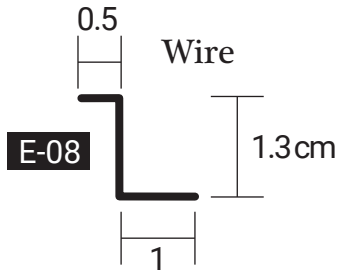
Rear Fender



Fender Stay **FP-14**

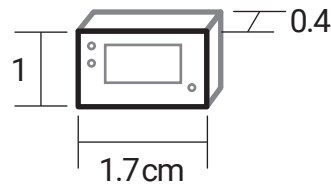


Brake Pedal
Shift Pedal

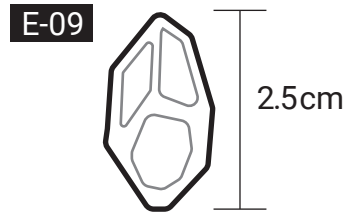


Meter

FP-11



Bracket



Arm



Rear Fender, Chain Reference photo



Footrest, Brack penal Reference photo

