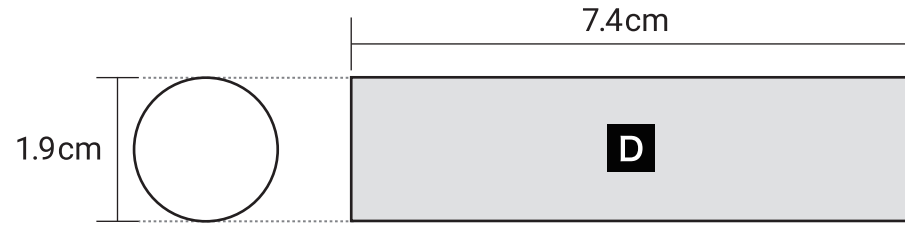
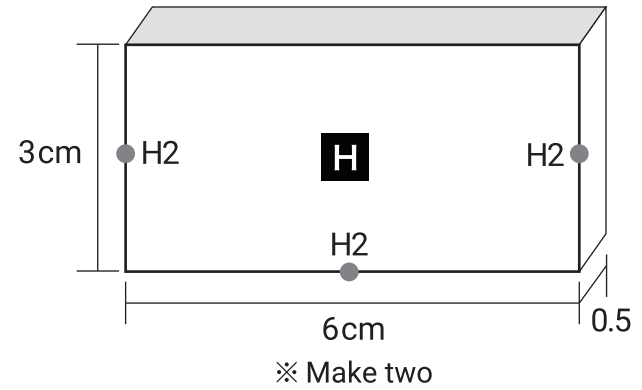
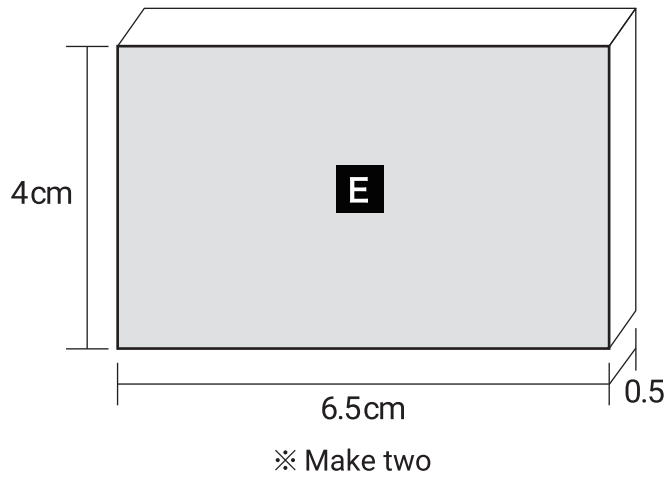
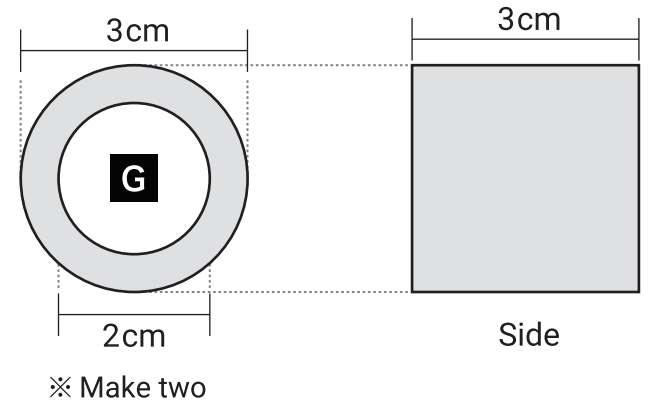
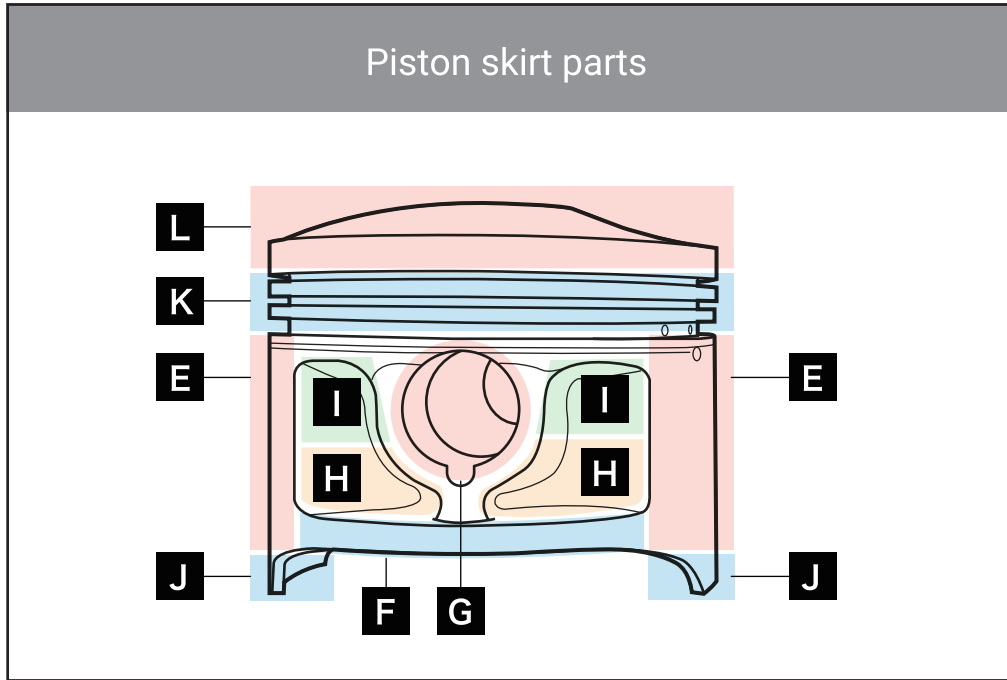


C Diagram



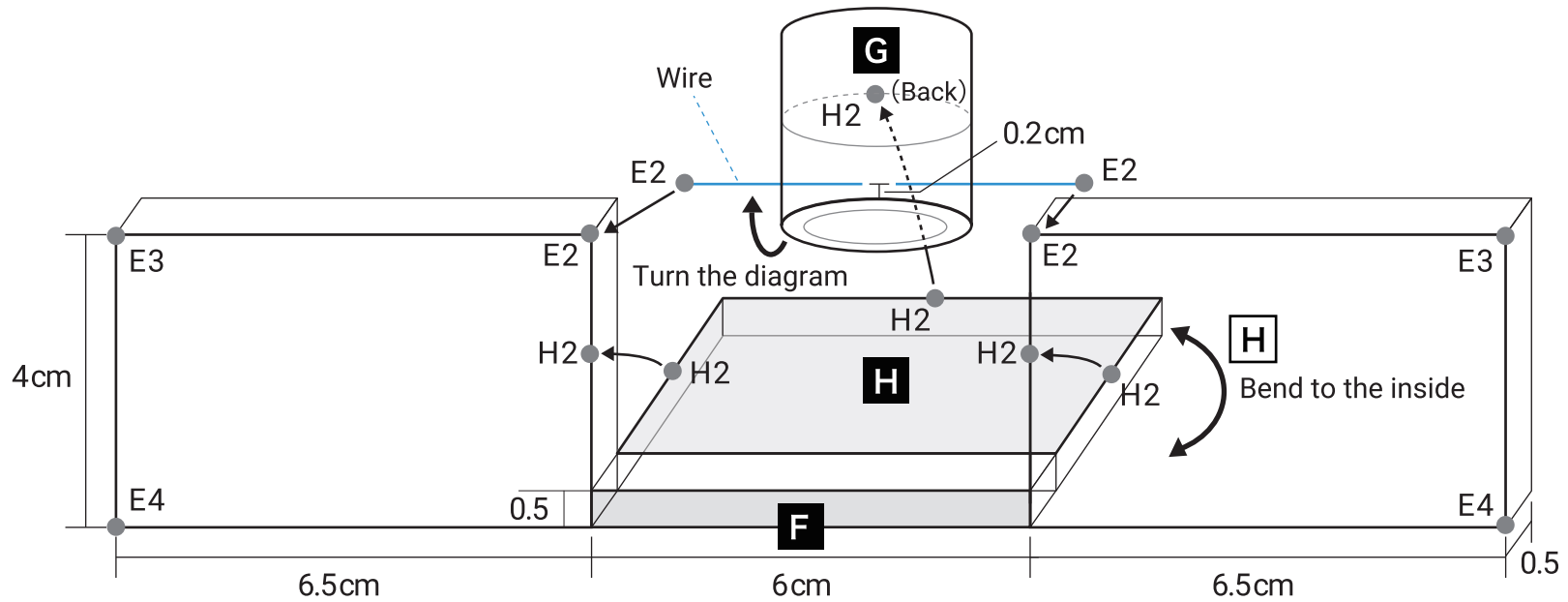
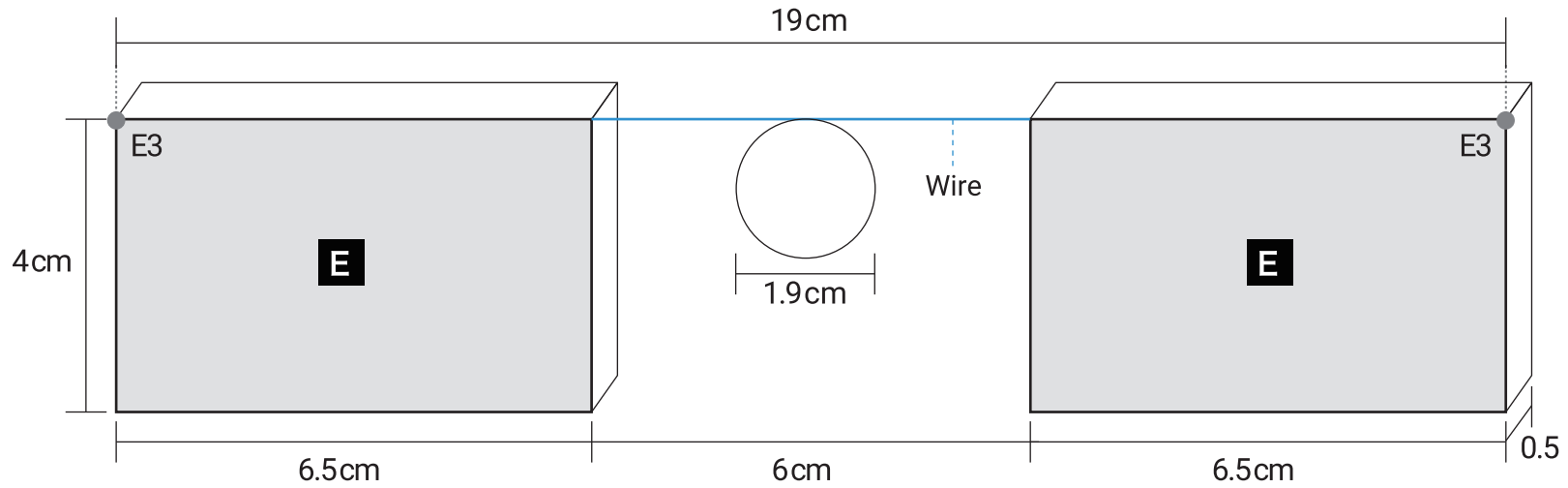
Side

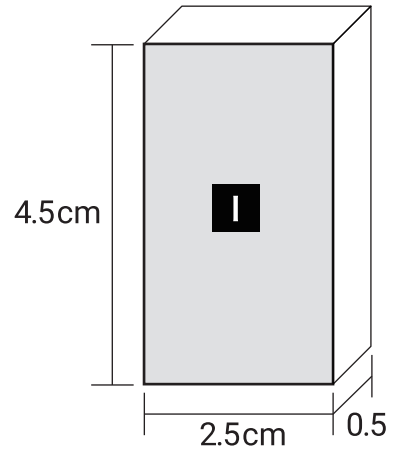




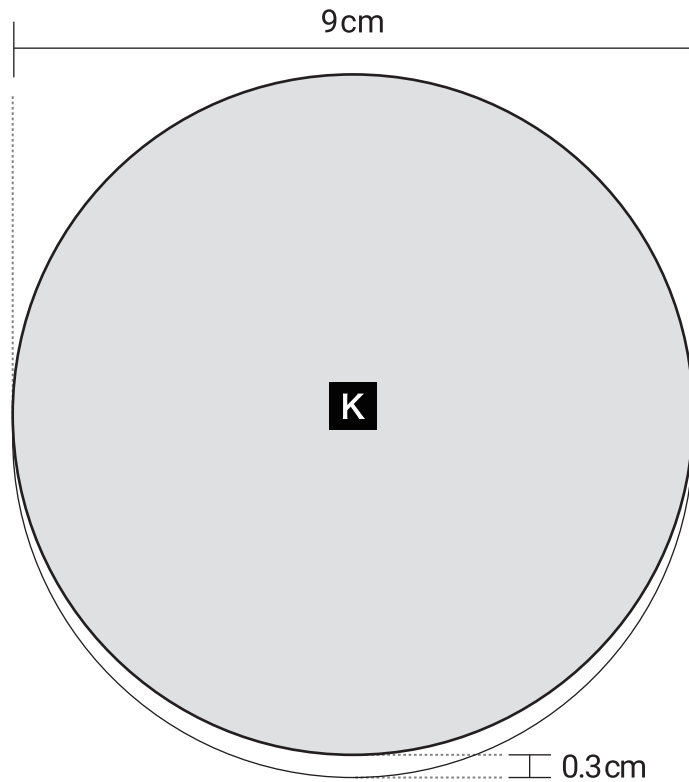
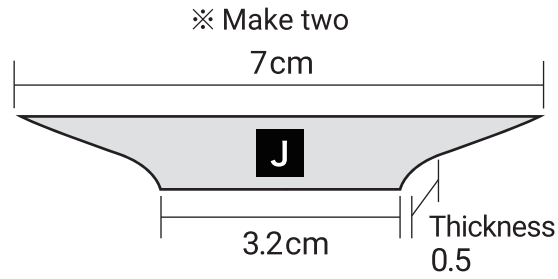


Assembly diagram





※ Make four



※ Prepare 1 light grey and 1 dark grey sheet

