

※ Make three

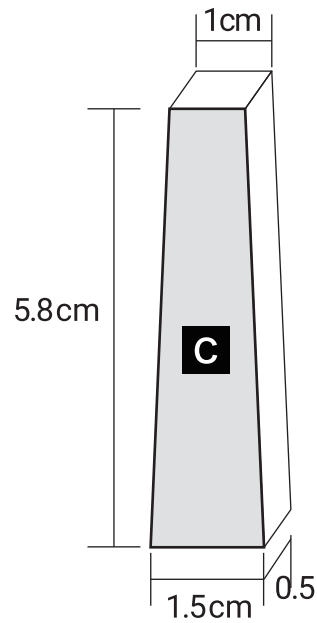
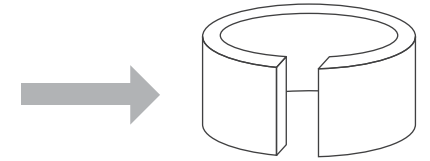
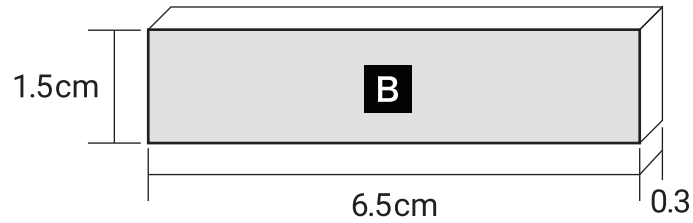
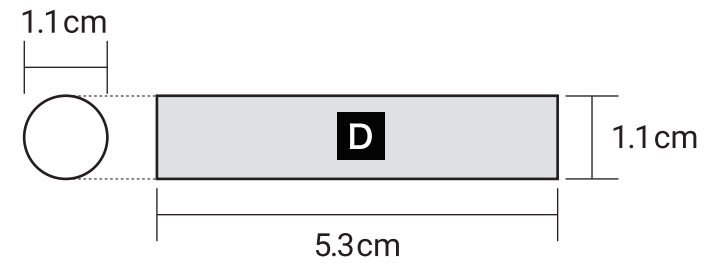
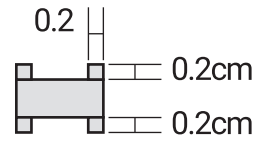
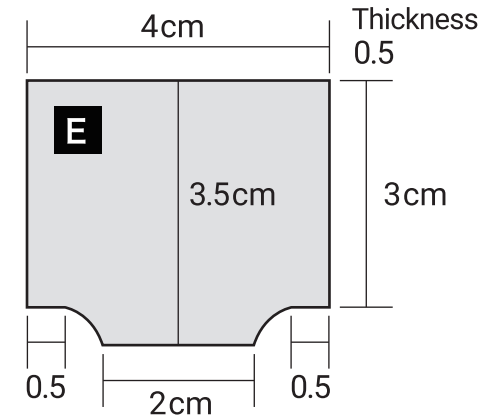
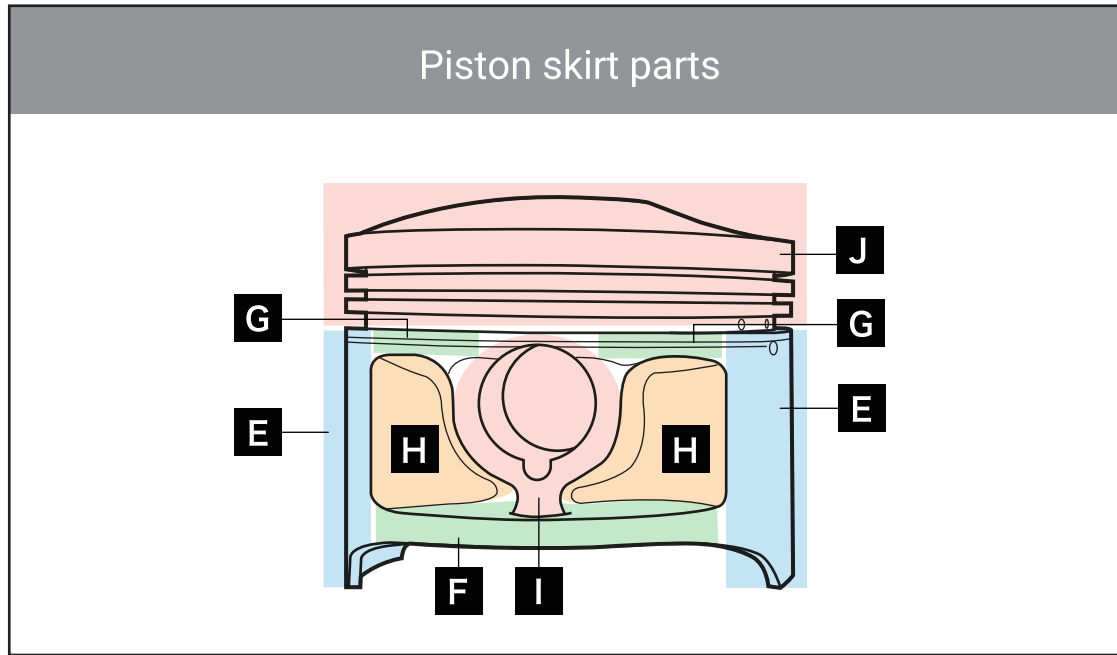
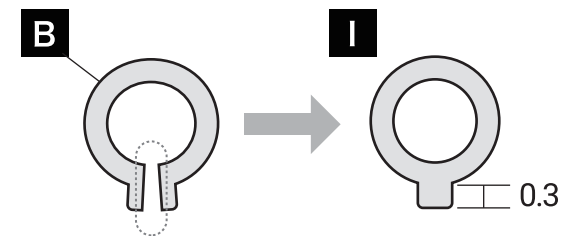
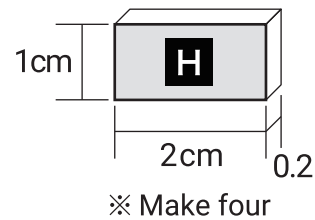
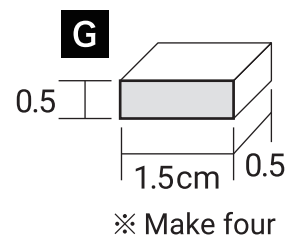
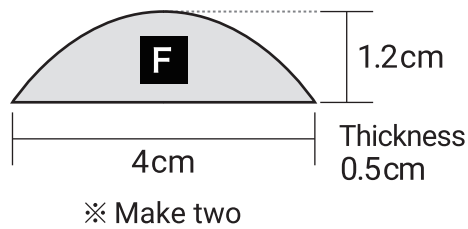


Diagram with rim



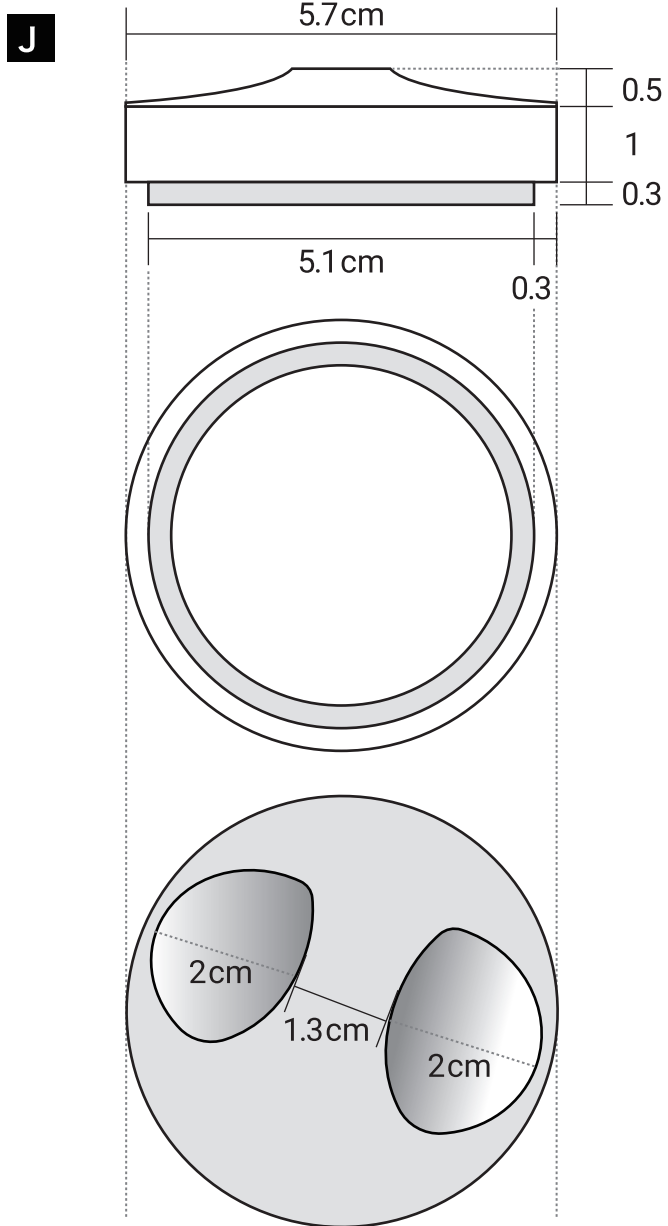


※ Make two

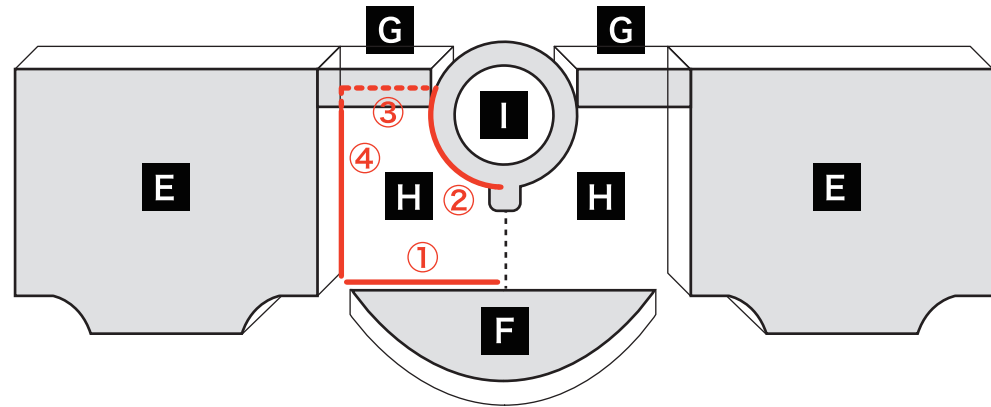


Hold the parts within the dotted line together and poke to fix

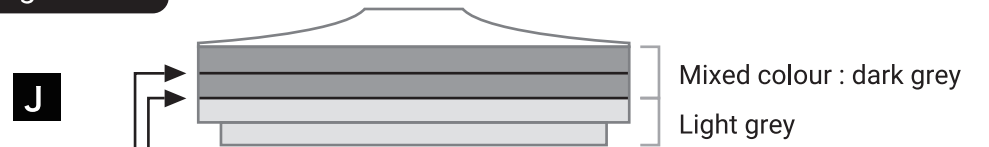
※ Make two



Assembly diagram



Colour guide



Insert a line with charcoal grey felt

