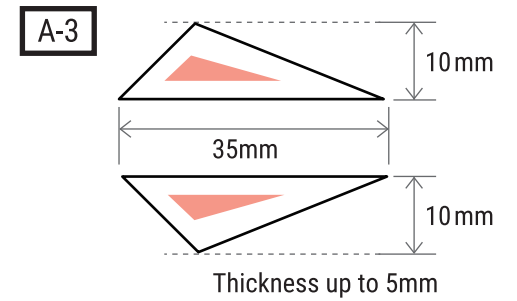
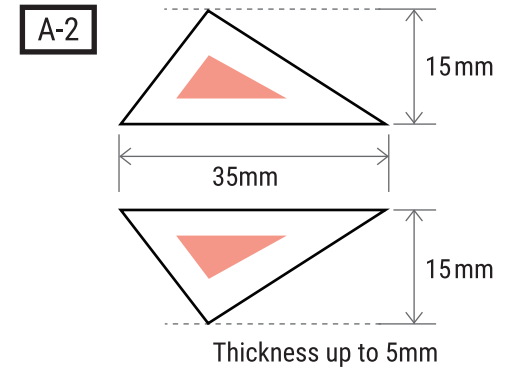
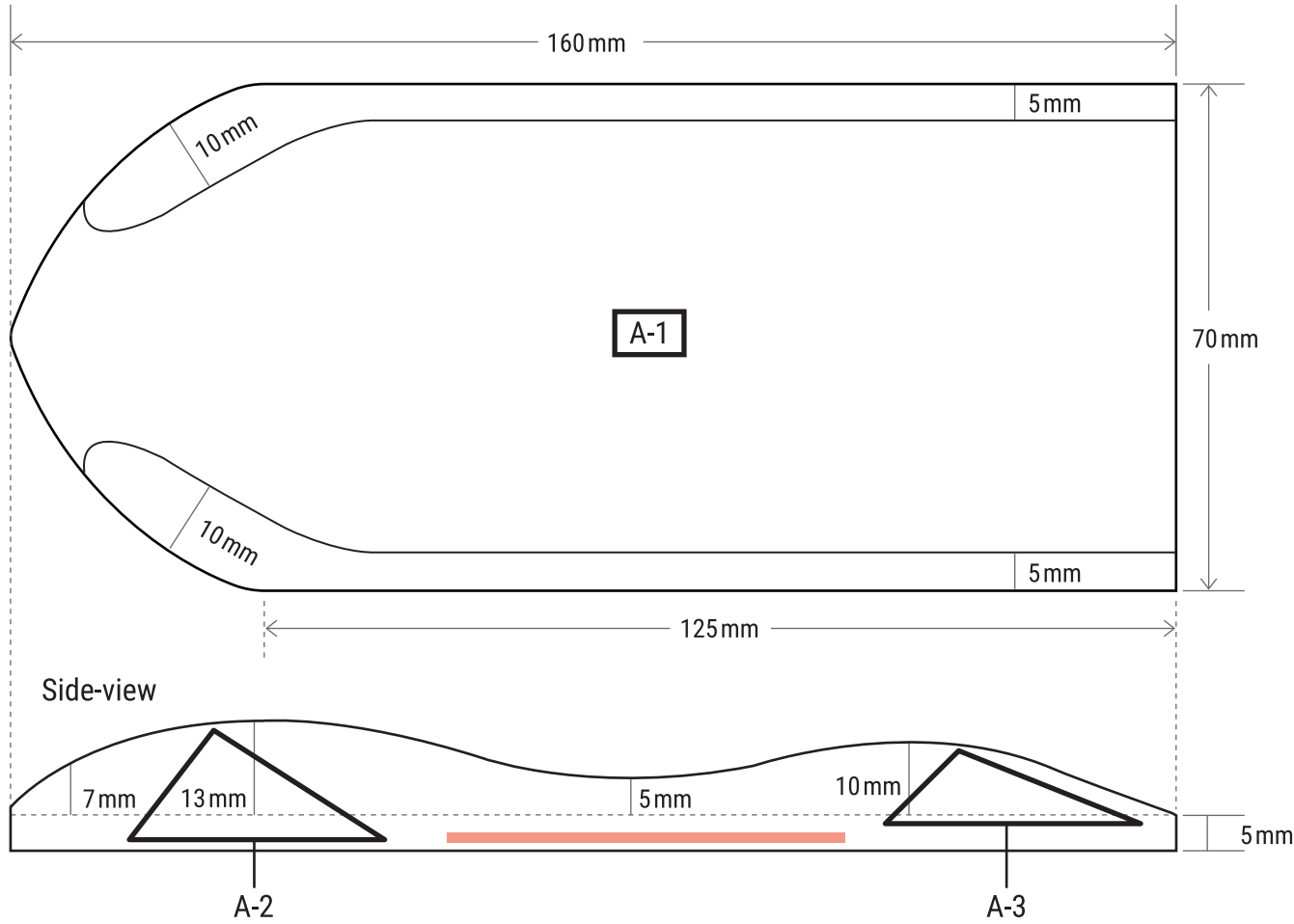


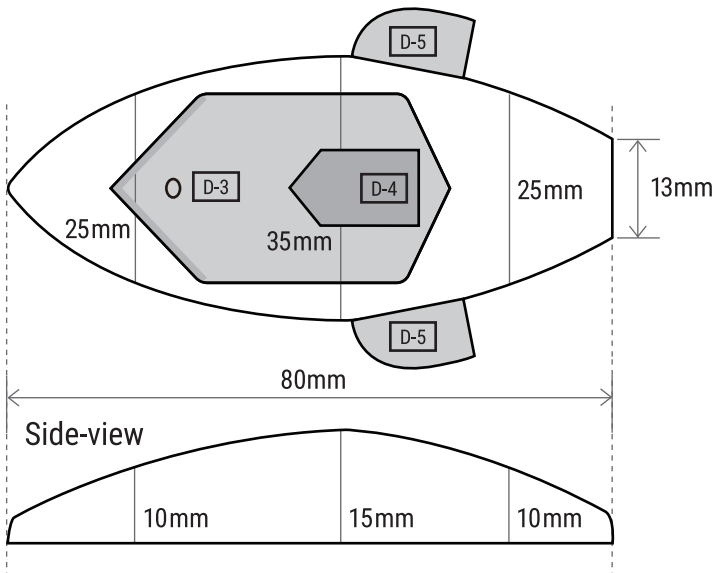


part A



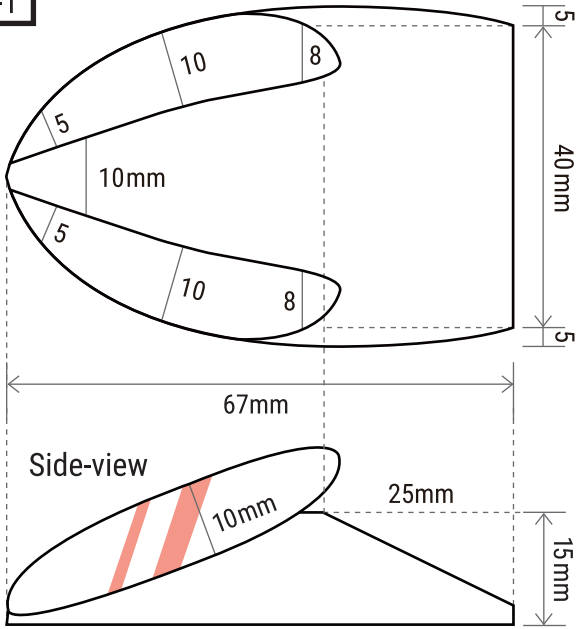


part B

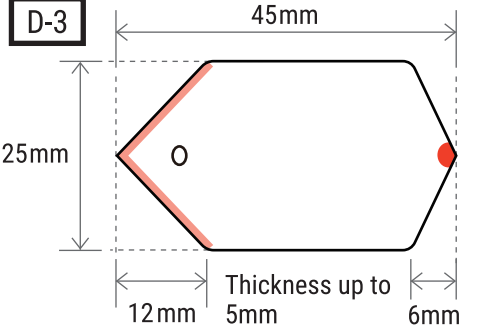


part D

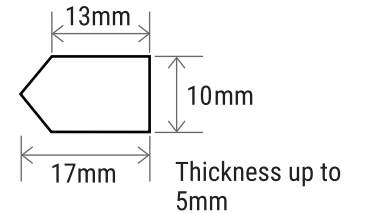
D-1



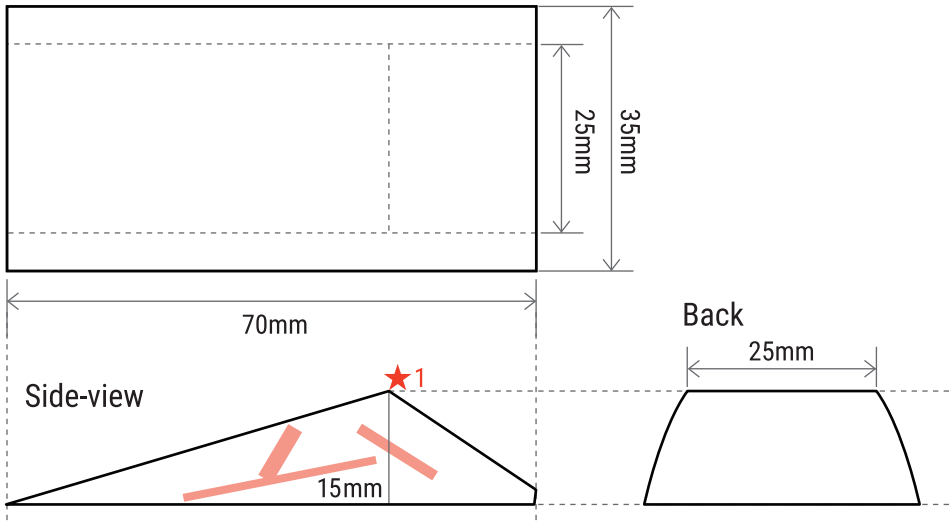
D-3



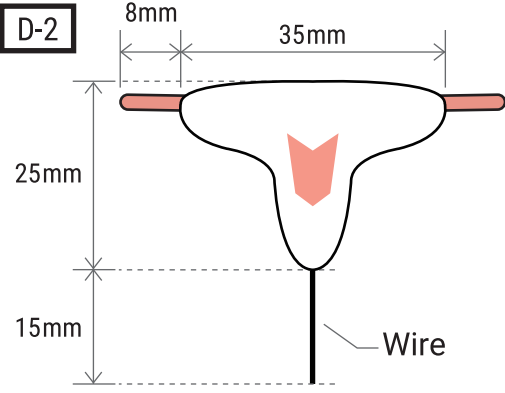
D-4



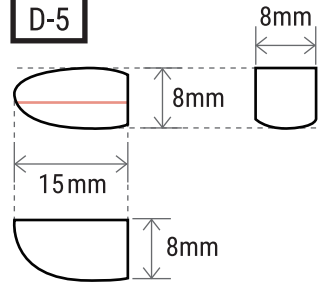
part C



D-2



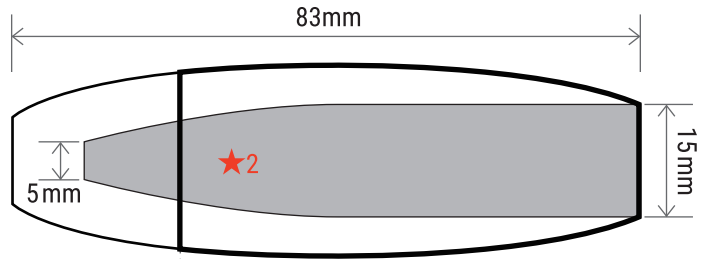
D-5



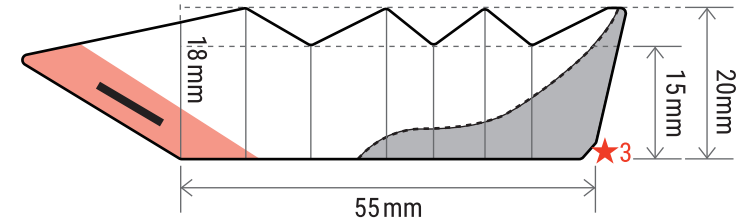


part E

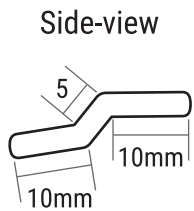
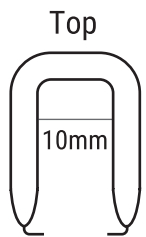
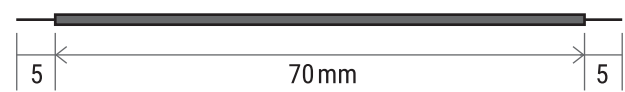
E-1



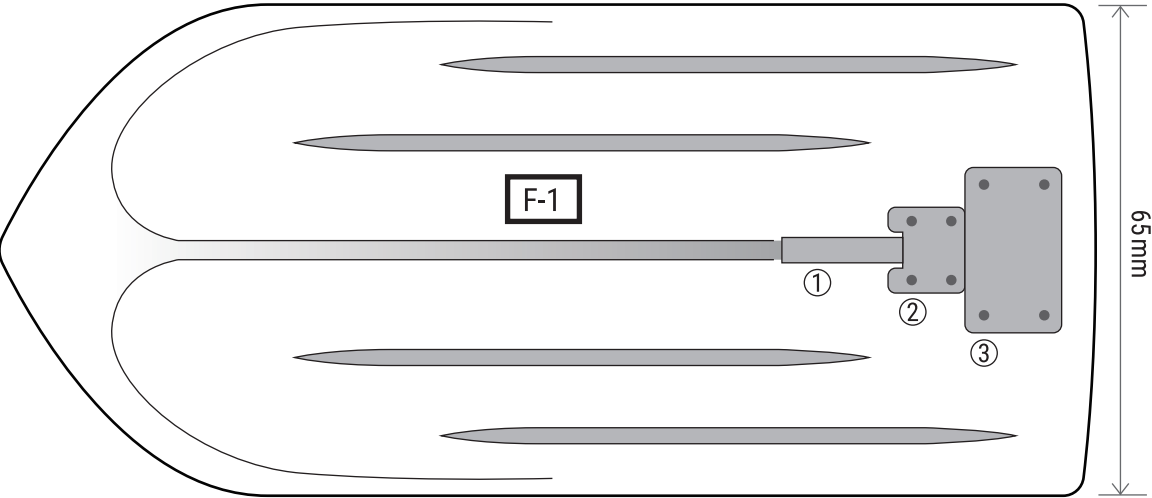
Side-view



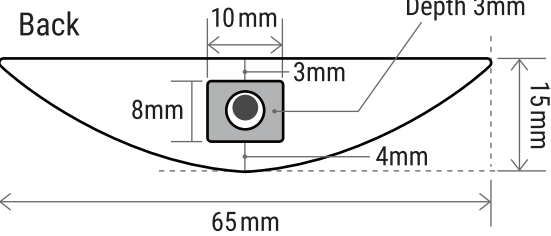
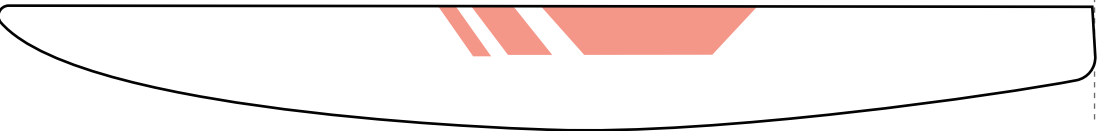
E-2



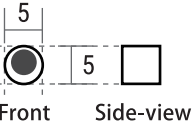
part F



Side-view



F-2



Plinth parts

